



neelnox

LET
THERE
BE **DESIGN.**

FEATURES

- Premium 304 Grade Stainless Steel
- Solid Mount Construction
- Concealed Installation Hardware
- Solid End Cap provided for side opposite to the door for a seamless look



Small Rosette
(Dia 1 1/8")



Medium Rosette
(Dia 1 1/4")



Large Rosette
(Dia 1 1/2")



Single Door Handle
with Knob shown
with a medium Rosette

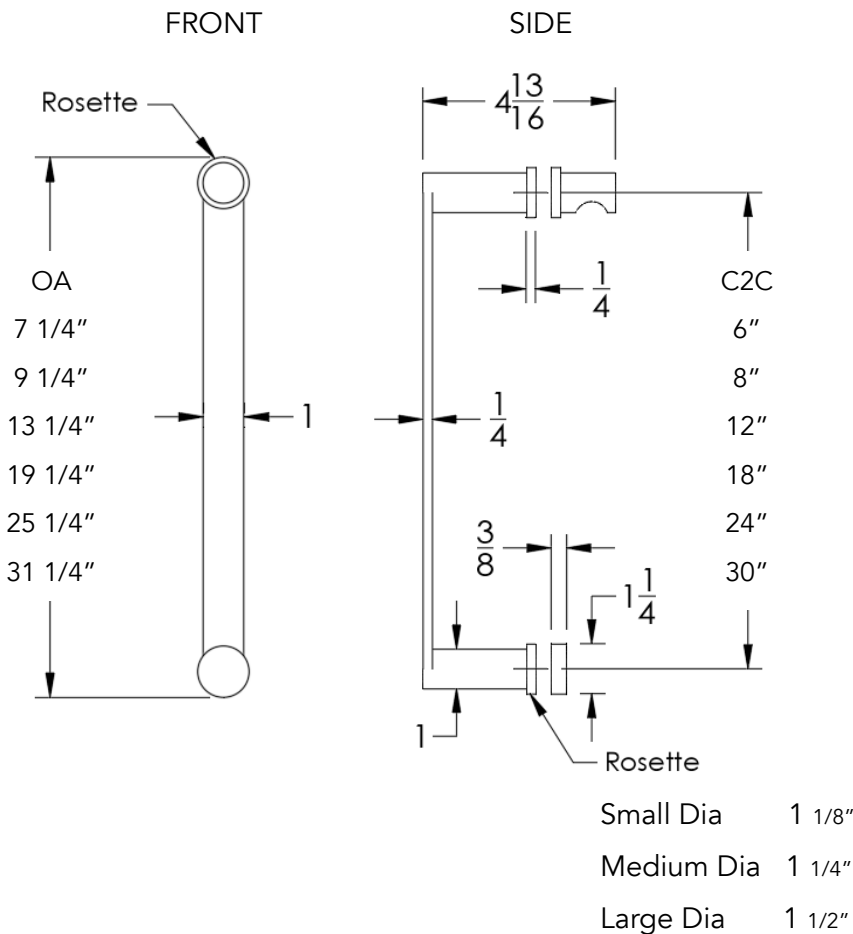
COLLECTION BEAUMONT

SINGLE DOOR HANDLE WITH KNOB

Model	Product	Finishes Available
BEA-SDKN-XX-XX	Single Door Handle With Knob	Multiple finishes available. Over 23 finishes to choose from.

FINISHES			
Polished (-P)	Antique Copper (-ACOP)	Polished Gold (-PGLD)	
Brushed (-B)	Polished Brass (-PBRS)	Brushed Copper (-BCOP)	
Brushed Gold (-BGLD)	Matte White (-WHT)	Brushed Rose Gold (-BRGD)	
Matte Black (-BLK)	Brushed Modern Bronze (-BMBRZ)	Brushed Black (-BRBLK)	
Oil Rubbed Bronze (-ORB)	Glossy White (-GWHT)	Polished Black (-PBLK)	
Brushed Brass (-BBRS)	Polished Rose Gold (-PRGD)	Antique Nickel (-ANKL)	
Brushed Bronze (-BBRZ)	Unlacquered Brass (-UBRS)	Black Nickel (-NKBL)	
Antique Brass (-ABRS)	Polished Nickel (-PNKL)		

OA	C2C	Small Rosette	Medium Rosette	Large Rosette
7 1/4"	6"	BEA-SDKN6-SR	BEA-SDKN6-MR	BEA-SDKN6-LR
9 1/4"	8"	BEA-SDKN8-SR	BEA-SDKN8-MR	BEA-SDKN8-LR
13 1/4"	12"	BEA-SDKN12-SR	BEA-SDKN12-MR	BEA-SDKN12-LR
19 1/4"	18"	BEA-SDKN18-SR	BEA-SDKN18-MR	BEA-SDKN18-LR
25 1/4"	24"	BEA-SDKN24-SR	BEA-SDKN24-MR	BEA-SDKN24-LR
31 1/4"	30"	BEA-SDKN30-SR	BEA-SDKN30-MR	BEA-SDKN30-LR



Installation Notes: Center to center hole drilling dimension are same as mentioned in column. Diameter of glass hole for installation is 1/2".

Standard hardware supplied can accommodate glass thicknesses 1/4" to 1/2". Please contact us for custom hardware in case glass thickness exceeds 1/2".



Small Rosette
(Dia 1 1/8")

Medium Rosette
(Dia 1 1/4")

Large Rosette
(Dia 1 1/2")

Dimensions in inches

NOTE: Dimensions subject to change without notice.